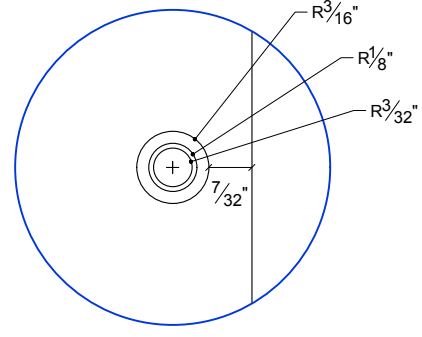
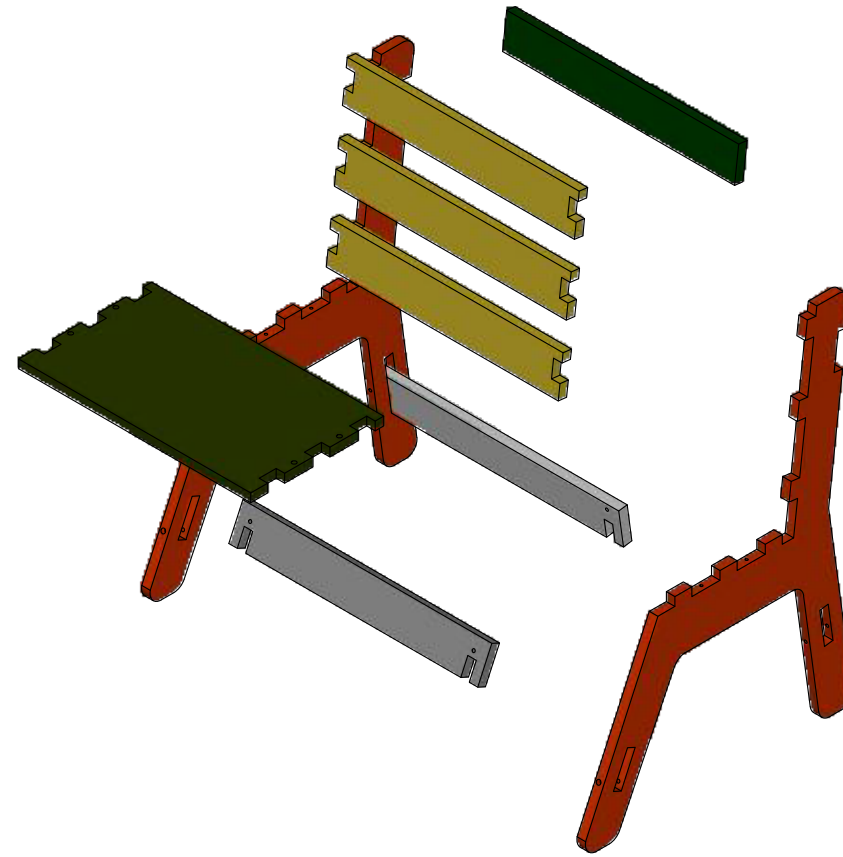


CHAIR_TOP

01	A01
----	-----



DETAIL A
SCALE 1'-0" = 1'-0"



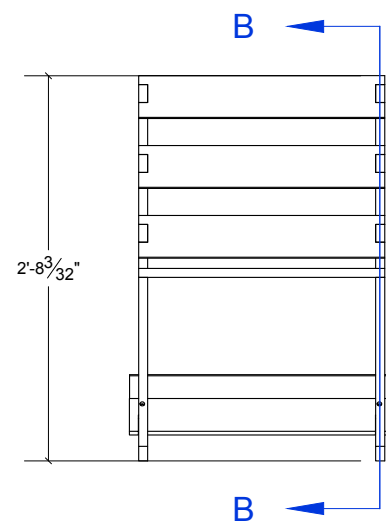
CHAIR_PARTS_ISO

05	A01
----	-----



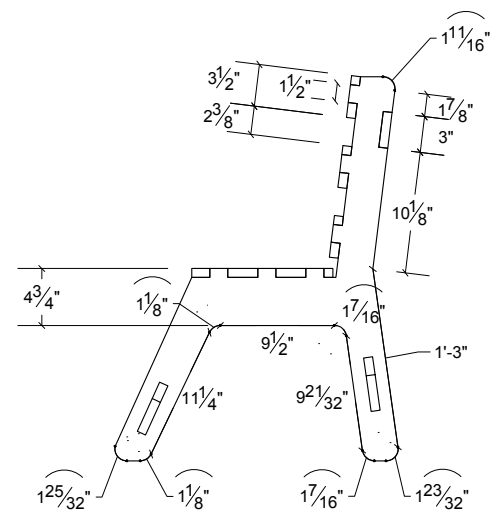
CHAIR_ASSEMBLED_ISO

04	A01
----	-----



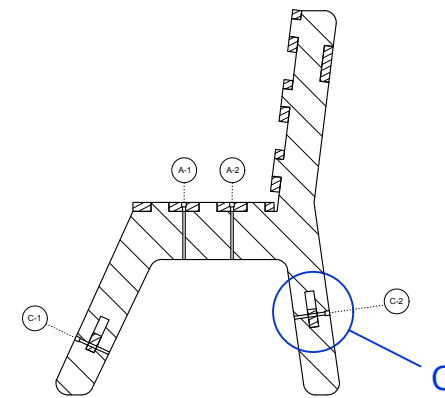
CHAIR_FRONT

02	A01
----	-----

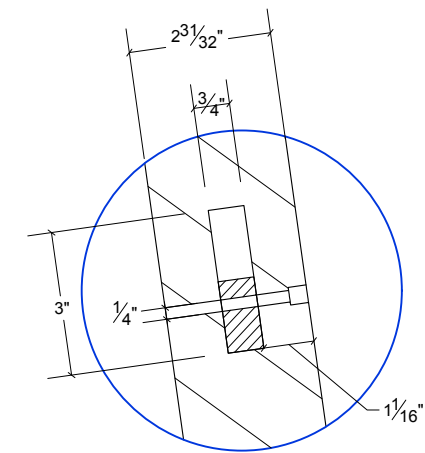


CHAIR_SIDE

03	A01
----	-----



SECTION B-B
SCALE 3/4" = 1'-0"



DETAIL C
SCALE 3" = 1'-0"

JINYOUNG SUNG	
CHAIR_GUIDE	
CHAIR_ASSEMBLE	
Designed By : M.DAL	Sheet #
Technical Director : M.DAL	001
Drafted By : J.SUNG	
Date : 04/03/2020	Scale VARIOUS
Sheet Set : 001	